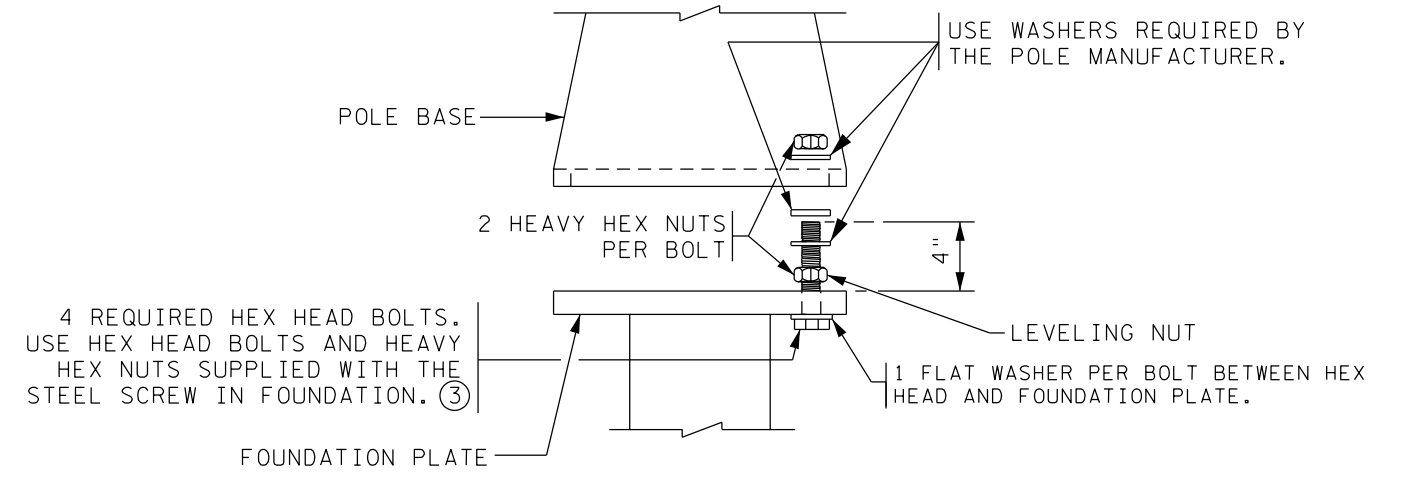
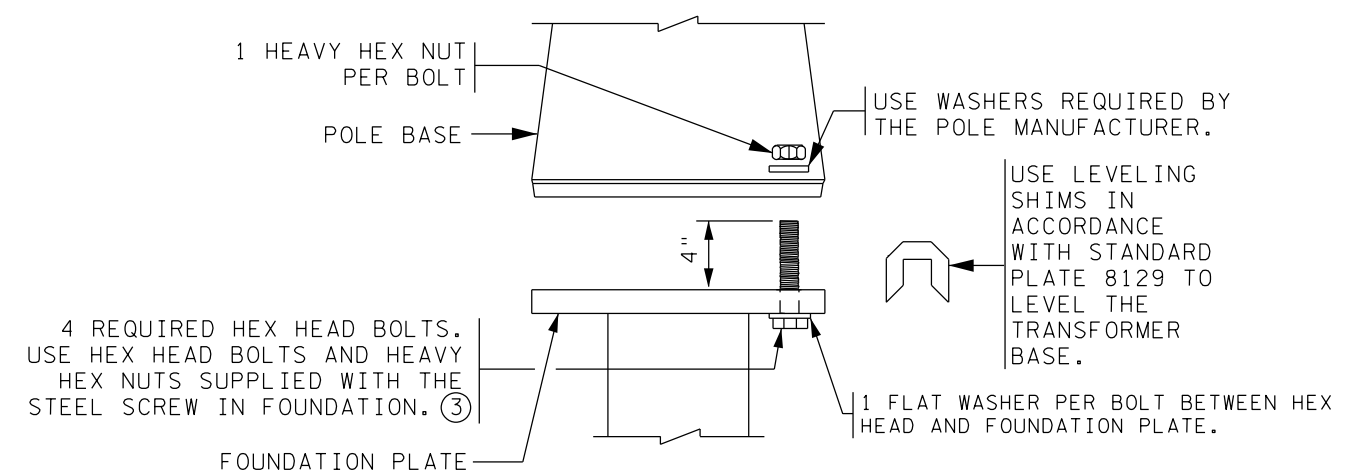


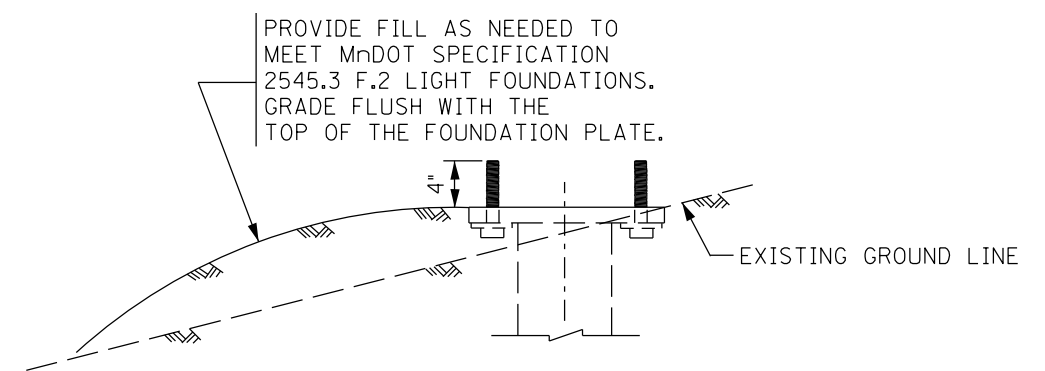
STEEL SCREW IN LIGHT FOUNDATION DESIGN E & H



DOUBLE NUT ANCHOR ROD CONNECTION



SINGLE NUT ANCHOR ROD CONNECTION



GRADING ON ROADSIDE SLOPE DETAIL